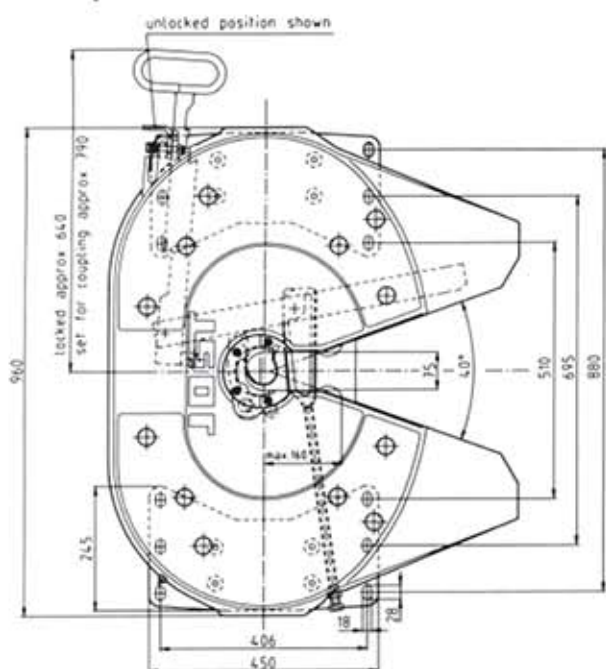
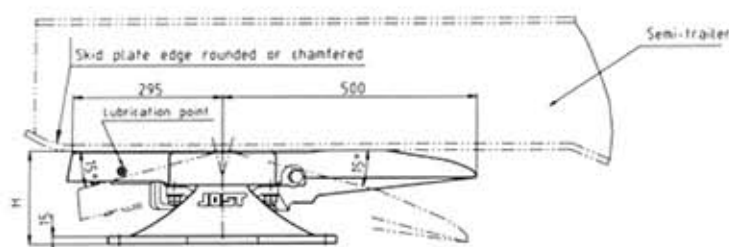


### JSK 37 CZW



**Applications:** Tanker  
General freight  
Stock crate  
Fridge van  
B-double  
Road train

The fifth wheel comes standard with non-weldable feet, available with weldable feet upon request.

Low maintenance fifth wheel coupling:

- maintenance free top plate
- maintenance free rubber cushioned pivot bearings
- maintenance free wearing ring
- only one remaining grease point the lock jaw (little grease required)

Lock jaw and wearing ring can be replaced without difficulty in a few minutes with the fifth wheel still in position.

Available with extended operating handle (240mm) on demand.

Mounting must be carried out in accordance with our instructions.

Mounting hole pattern in accordance with DIN standard 74081 and ISO standard 3842.

Type	Overall Height mm	Imposed Load On Tractor kg	D-Value kN	Weight Approx. kg	CRN
JSK 37 C150W	150	20000	190	136	24286
JSK 37 C170W	170	20000	190	139	
JSK 37 C185W	185	20000	190	141	
JSK 37 C250W	250	20000	190	145	
*JSK 37 C300W	300	20000	190	161	

\* Note 300mm non weldable pedestals

The right to alter specifications is reserved.

8/08