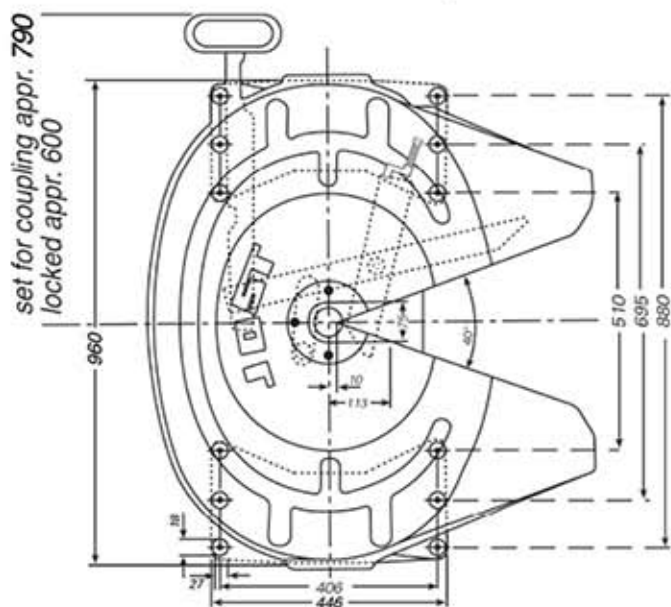
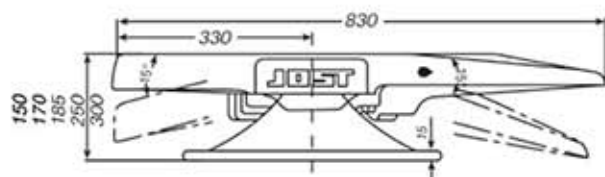


## Type JSK 36 CV with wear ring



### Application: Tanker

General freight

Fridge van

B-double & Road train.

Chassis Tippers

Wear ring is easy to remove from above.

Shock absorption large rubber pads.  
(Oil and grease resistant)

Gross comb. weight 135000 kgs

D-value 190kN

Weight approx. 157 kgs  
(for 150mm Height)

Type	Overall Height mm	Imposed Load On Tractor kg	D-Value kN	Weight Approx. kg	CRN
JSK 36 CV/150	150	20000	190	157	16358
JSK 36 CV/170	170	20000	190	160	
JSK 36 CV/185	185	20000	190	162	
JSK 36 CV/250	250	20000	190	170	
* JSK 36 CV/300	300	20000	190	185	

\* Non Weldable Pedestals

The right to alter specifications is reserved.